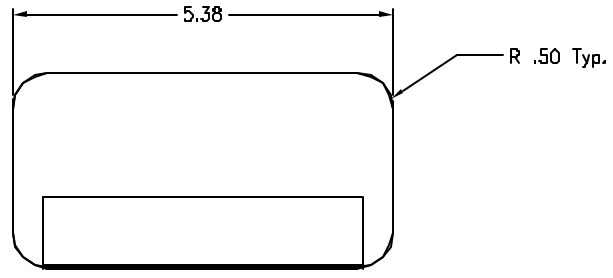
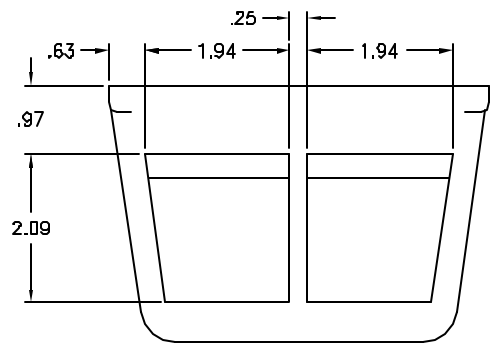


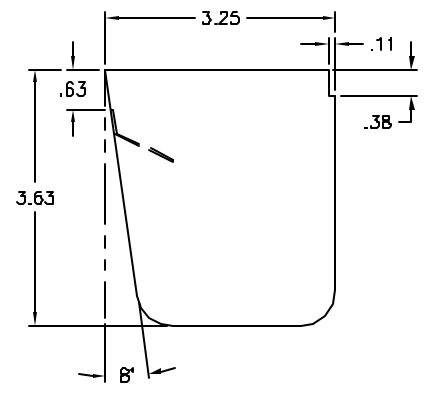
REV.	DATE	DESCRIPTION
------	------	-------------



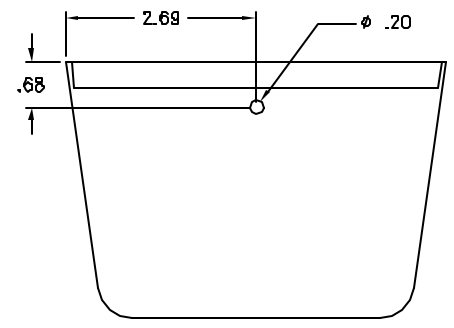
TOP



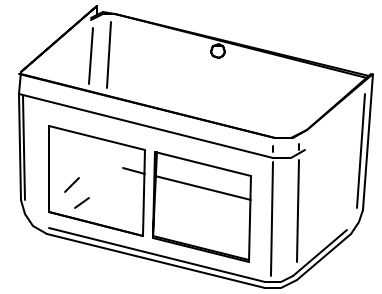
FRONT



RIGHT



REAR



Material— .07 thick black molded ABS

**Condensate Drip Pan
Vertical Mount, #DP-140V**

THE INFORMATION CONTAINED HEREIN IS PROPRIETARY AND CONFIDENTIAL TO EIC SOLUTIONS, INC. ANY USE, TRANSFER OR DUPLICATION OF THIS INFORMATION IS STRICTLY FORBIDDEN WITHOUT THE EXPRESS WRITTEN CONSENT OF EIC SOLUTIONS, INC.

TOLERANCES UNLESS NOTED:
DIMENSIONS IN INCHES
FRACTIONS TO .001
DECIMALS TO .001
ANGLES ± .1°

EIC SOLUTIONS, INC.
1825 Staut Dr., Warminster, PA 18974
(215) 443-5190 FAX: (215) 443-9564
www.Panels.com

CONDENSATE DRIP PAN AAC-140B VERTICAL MOUNT		REV.
DATE: 5/9/02	SCALE: 1:1	REV.
	CA-480	