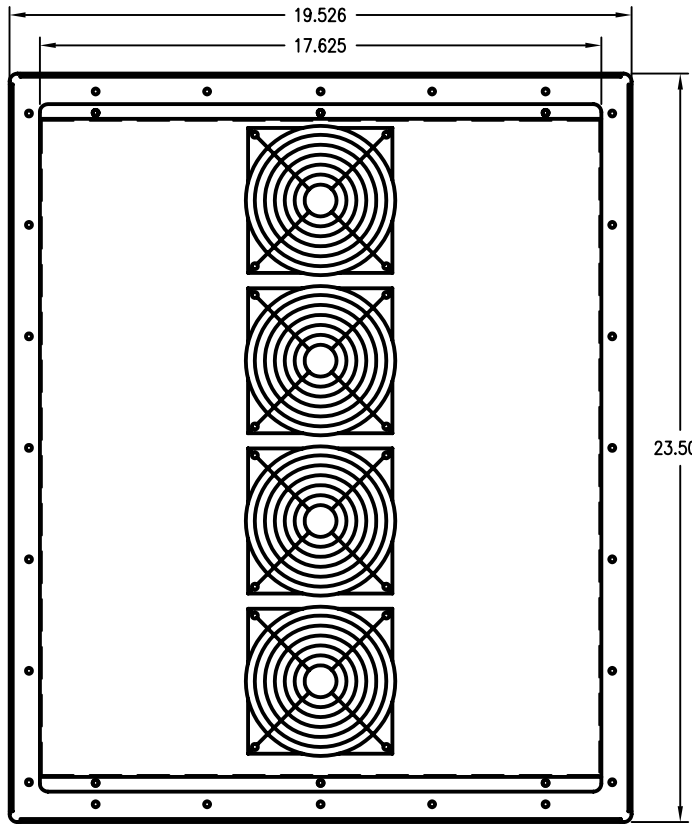
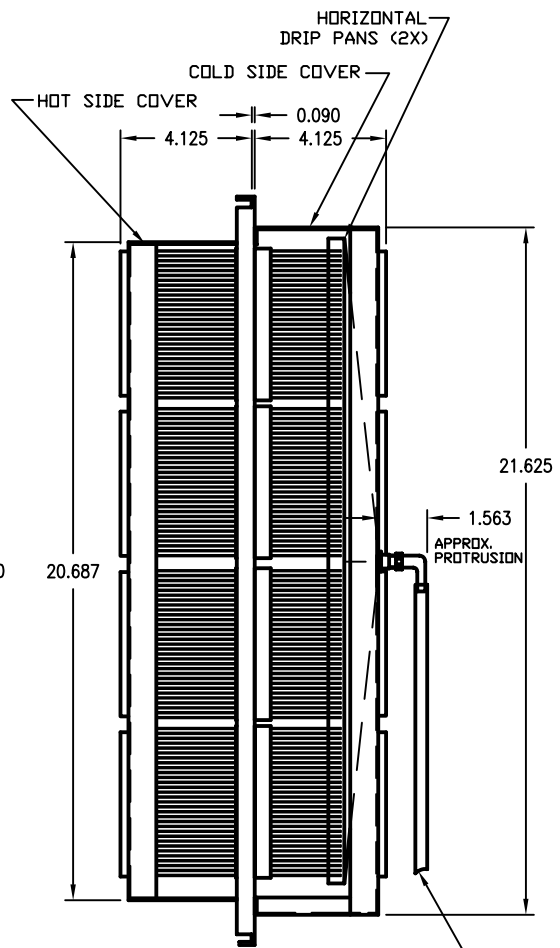


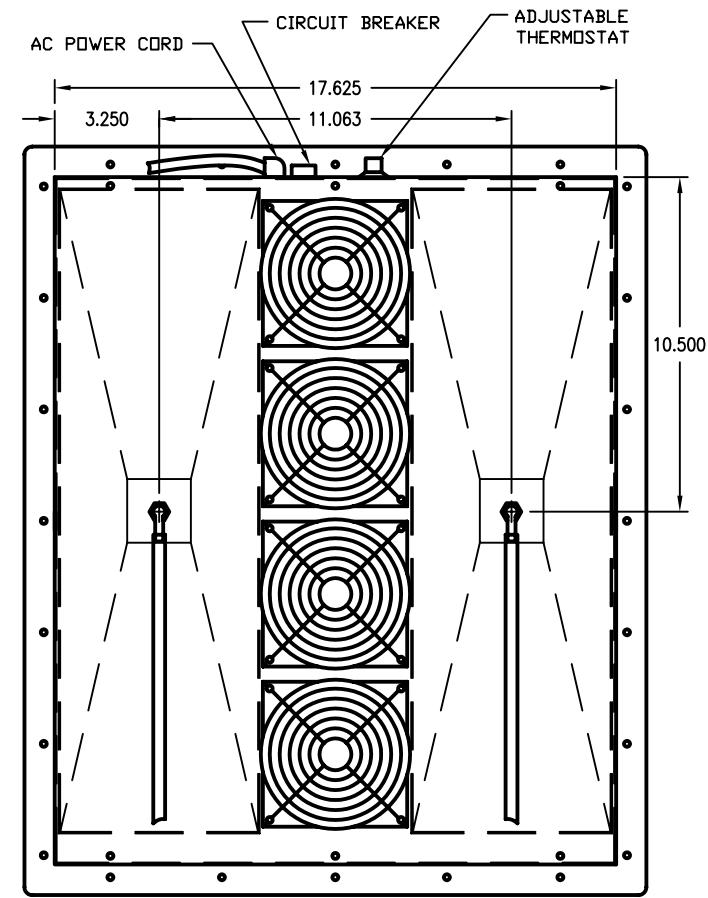
REV.	DATE	DESCRIPTION
A	9-18-09	REDESIGNED HORIZONTAL DRIP PAN



HOT SIDE



END VIEW



COLD SIDE

3/8" O.D. PVC DRAIN TUBES W/ FITTINGS
END OF TUBES TO EXIT ENCLOSURE

THE INFORMATION CONTAINED HEREIN IS PROPRIETARY AND CONFIDENTIAL TO EIC SOLUTIONS, INC. ANY USE, TRANSFER OR DUPLICATION OF THIS INFORMATION IS STRICTLY FORBIDDEN WITHOUT THE EXPRESS WRITTEN CONSENT OF EIC SOLUTIONS, INC.

TOLERANCES UNLESS NOTED
FRACTIONS ±1/32
2 PLACES ±.030
3 PLACES ±.015
ANGLES ± 1°

EIC SOLUTIONS, INC.
1825 Stout Dr., Warminster, PA 18974
(215) 443-5190 FAX: (215) 443-9564
WWW.EICSOLUTIONSINC.COM

151 SERIES TOP MOUNT	
NAME:	2500 BTU THERMOELECTRIC AIR CONDITIONER (SALES)
DRAWN: JMK	SCALE: 1/4"=1"
DATE: 11/5/07	REV: A
DWG #:	BA-1188