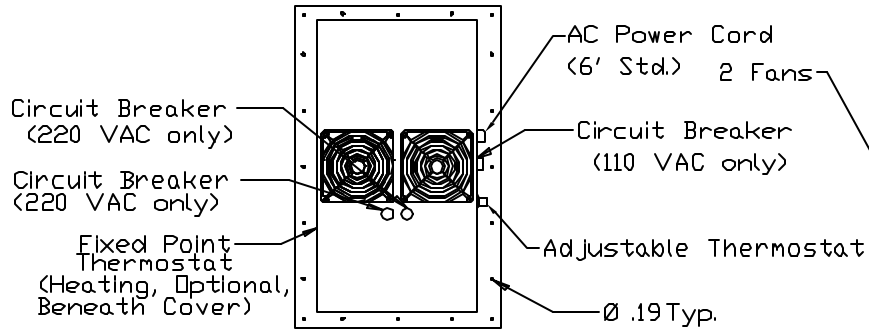
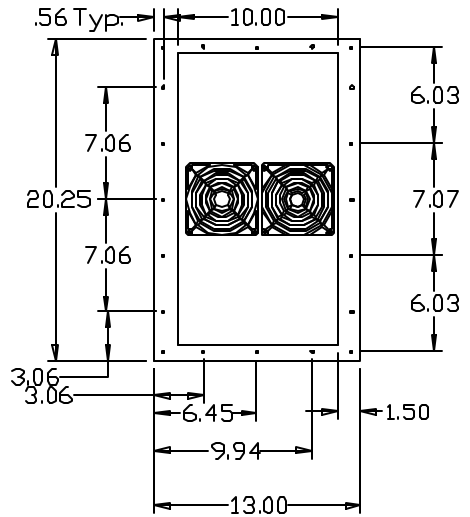
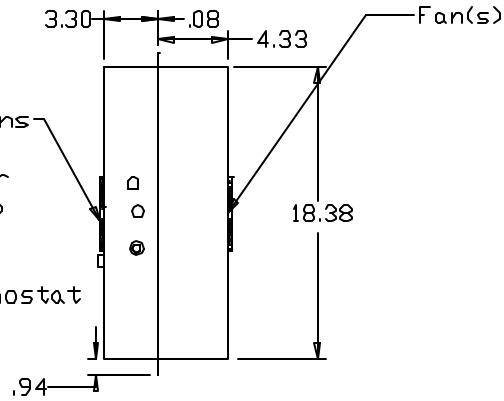


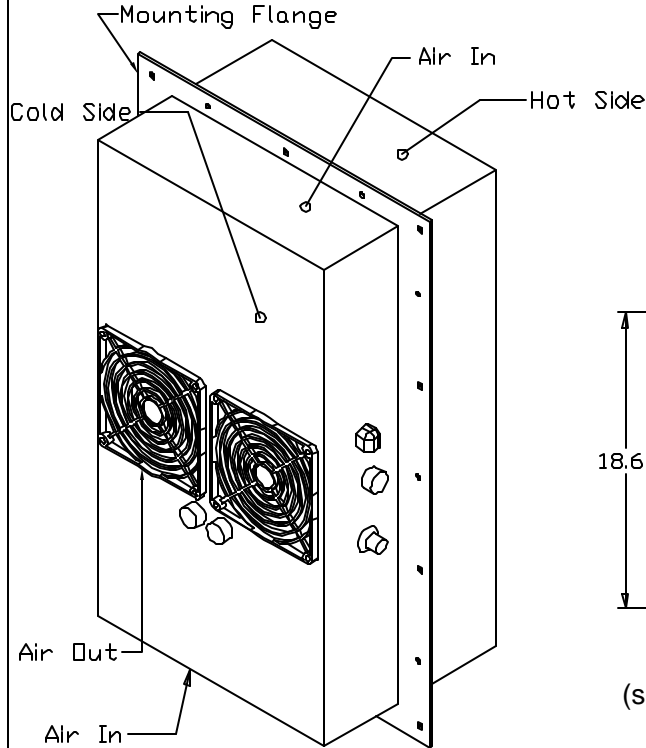
**Front  
(Cold Side)**



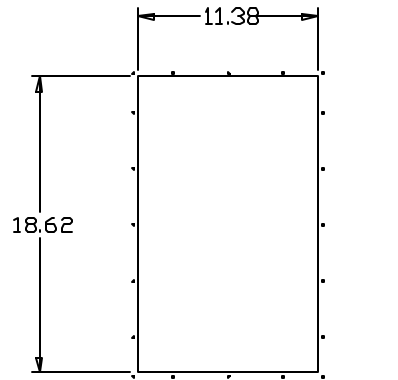
**Right Side**



**Rear  
(Hot Side)**



**Preferred Orientation**



**Cabinet Cutout**  
(see drawing number 400301 or 400302 for details)

**Note:**  
NEMA 12: Use cutout drawing number 400301  
NEMA 4X: Use cutout drawing number 400302

REVISIONS				
ZONE	REV	DESCRIPTION	DATE	APPROVED

This drawing contains proprietary information of EIC Solutions, Inc. Any use of this drawing or the information contained herein for other than the purpose for which this drawing is furnished is forbidden.		<h1>AAC-145 Series</h1>		
TOLERANCES UNLESS OTHERWISE SPECIFIED: FRACTIONS ±1/16 DECIMAL ±0.030 X.XXX ±0.010 ANGLES ±1°		<h2>EIC Solutions, Inc.</h2> 1825 Stout Drive, Warminster, PA 18974 (215) 443-5190 FAX (215) 443-9564 www.eicsolutionsinc.com		
DATE:	SIZE: <b>B</b>	FSCM NO.	DWG NO. <b>400300</b>	REV
DRAWN BY:	SCALE: none	SHEET 1 of 1		