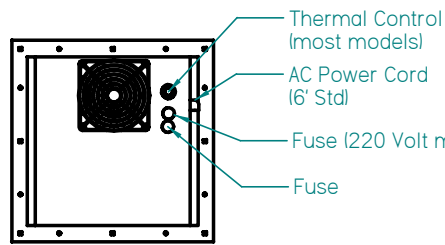
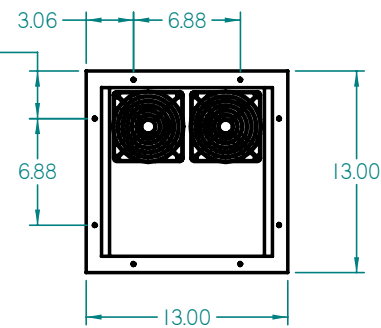
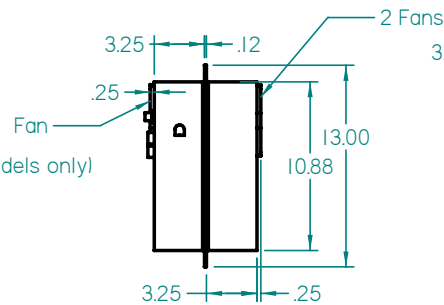


REVISIONS				
ZONE	REV	DESCRIPTION	DATE	APPROVED

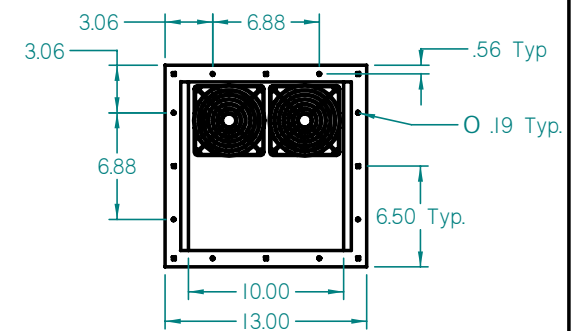
**Front  
(Cold Side)**



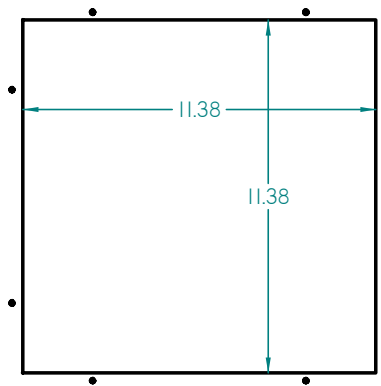
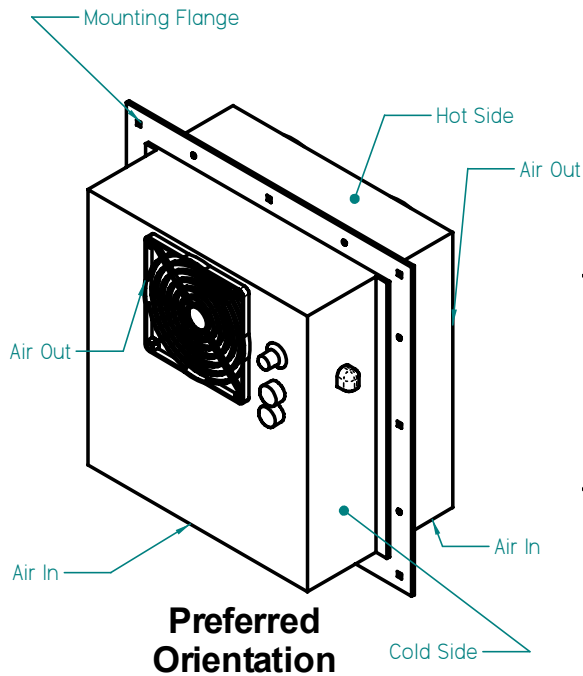
**Right Side**



**Rear  
NEMA 12  
(Hot Side)**



**Rear  
NEMA 4X  
(Hot Side)**



**Cabinet Cutout  
(see drawing number 400201  
or 400202 for details)**

**Note:**  
**NEMA 12: Use cutout drawing 400201**  
**NEMA 4X: Use cutout drawing 400202**

THIS DRAWING CONTAINS PROPRIETARY INFORMATION OF LEXCO. ANY USE OF THIS DRAWING OR THE INFORMATION CONTAINED HEREIN FOR OTHER THAN THE PURPOSE FOR WHICH THIS DRAWING IS FURNISHED IS FORBIDDEN.		<b>AAC-141 Series</b>		
TOLERANCES UNLESS OTHERWISE SPECIFIED: FRACTIONS ±1/16 DECIMAL X.XX ±0.030 X.XXX ±0.010 ANGLES ±1°		<b>EIC Solutions, Inc.</b> 1825 Stout Drive, Warminster, PA 18974 (215) 443-5190 FAX (215) 443-9564 www.eicsolutionsinc.com		
DATE: 6 Oct 00	SIZE <b>B</b>	FSCM NO.	DWG NO. <b>400200</b>	REV
DRAWN BY:	SCALE none	SHEET		1 of 1