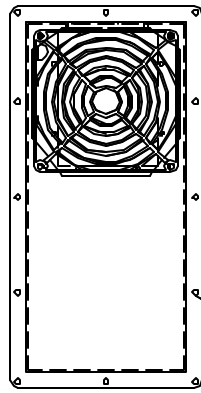
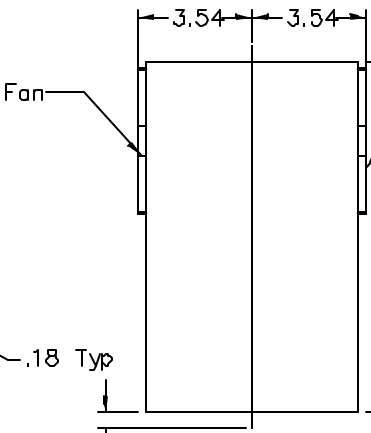


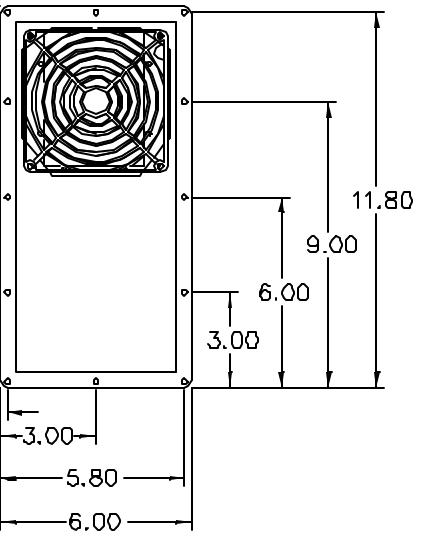
Front (Cold Side)



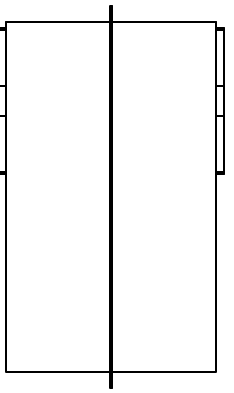
Right Side



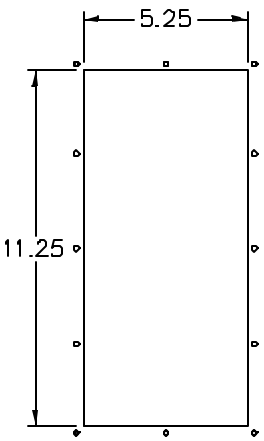
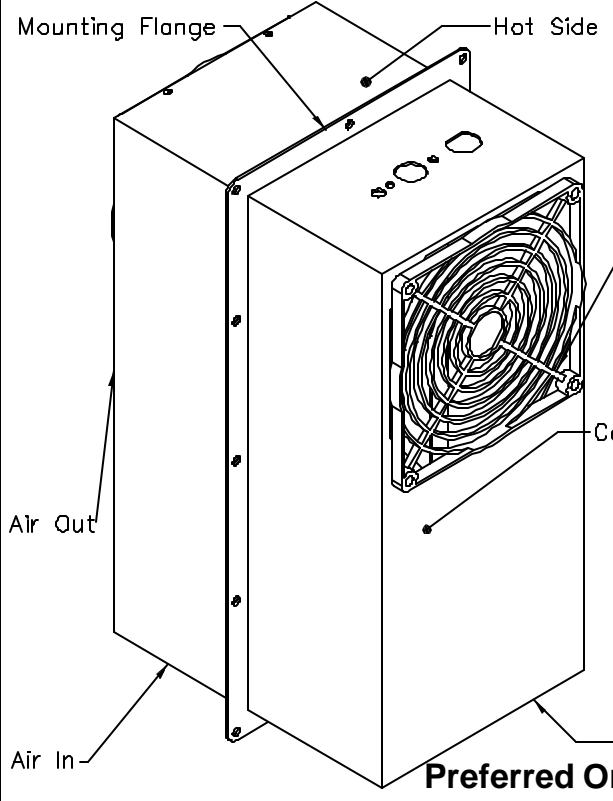
ZONE	REV	DESCRIPTION	DATE	APPROVED
ZONE	A	RE-POSITIONED THERMOSTAT MOUNTING HOLES (TOP VIEW) ON COLD SIDE COVER	1-15-03	APPROVED
ZONE	B	CABINET CUTOUT DIMENSIONS 5.25 WAS 5.20; 11.25 WAS 11.20	9-15-03	APPROVED



Rear (Hot Side)



Left Side



Cabinet Cutout (see drawing number 400151 for details)

This drawing contains proprietary information of EIC Solutions, Inc. Any use of this drawing or the information contained herein for other than the purpose for which this drawing is furnished is forbidden.

TOLERANCES UNLESS OTHERWISE SPECIFIED:

FRACTIONS	±1/16
DECIMAL	
X.XX	±0.030
X.XXX	±0.010
ANGLES	±1°

AAC-140B Series

EIC Solutions, Inc.

1825 Stout Drive, Warminster, PA 18974
 (215) 443-5190 FAX (215) 443-9564
 www.eicsolutionsinc.com

DATE:	SIZE B	FSCM NO.	DWG NO.	REV B
DRAWN BY:	SCALE none	400150		SHEET 1 of 1