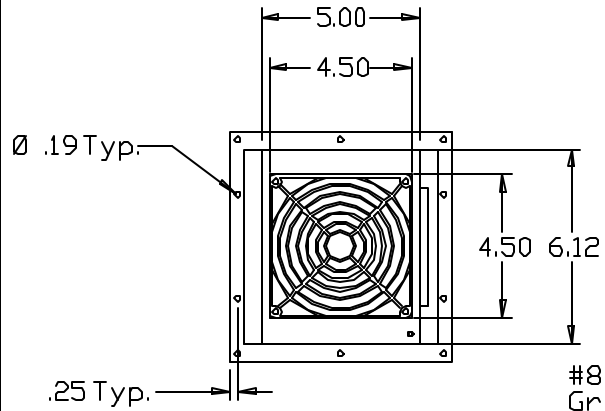
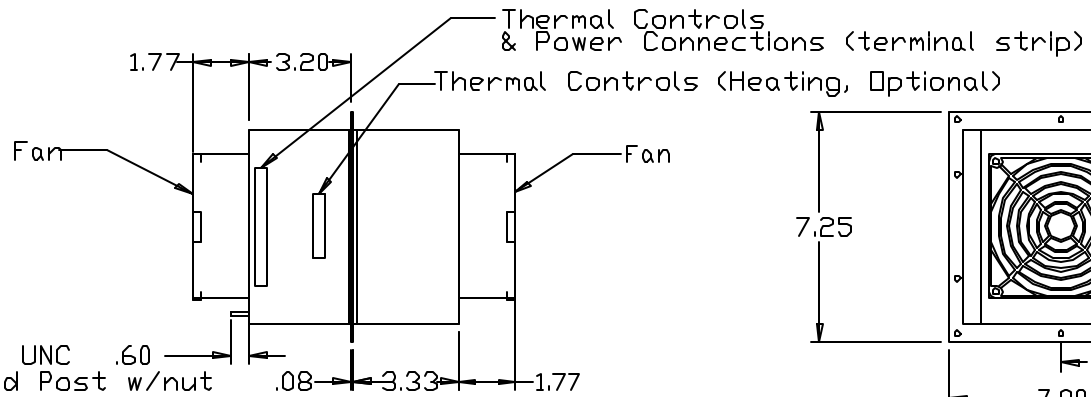


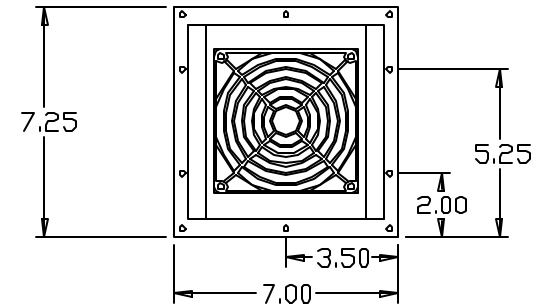
REVISIONS				
ZONE	REV	DESCRIPTION	DATE	APPROVED
ZONE	A	AIR FLOW REVISED	7-31-02	APPROVED



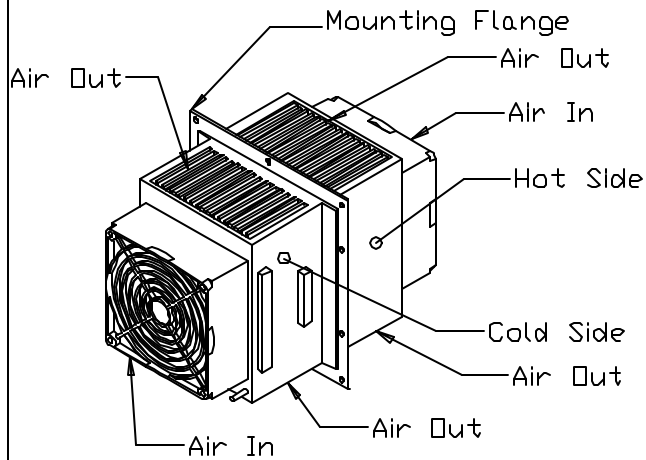
Front  
(Cold Side)



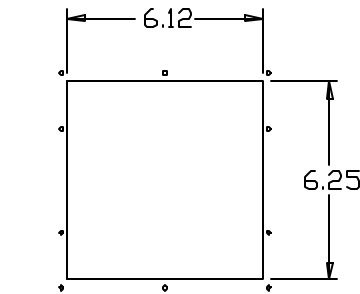
Right Side



Rear  
(Hot Side)



Preferred  
Orientation



Cabinet Cutout  
(see drawing number  
400101 for details)

This drawing contains proprietary information of EIC Solutions, Inc.. Any use of this drawing or the information contained herein for other than the purpose for which this drawing is furnished is forbidden.

		<b>AAC-140 Series</b>		
		<b>EIC Solutions, Inc.</b>		
		1825 Stout Drive, Warminster, PA 18974 (215) 443-5190 FAX (215) 443-9564 www.eicsolutionsinc.com		
DATE: 6 Oct 00		SIZE <b>B</b>	FSCM NO.	DWG NO. <b>400100</b>
DRAWN BY:		SCALE none	SHEET 1 of 1	
			REV <b>A</b>	